

FOR 8K RAM (MK48Z18) FOR 2K RAM (MK48Z12)
 R13 IS FITTED R13 IS NF
 R14 IS NF R14 IS FITTED
 (PIN NUMBERS IN BRACKETS)

FOR 27C526
 R11 IS NF
 R12 IS FITTED

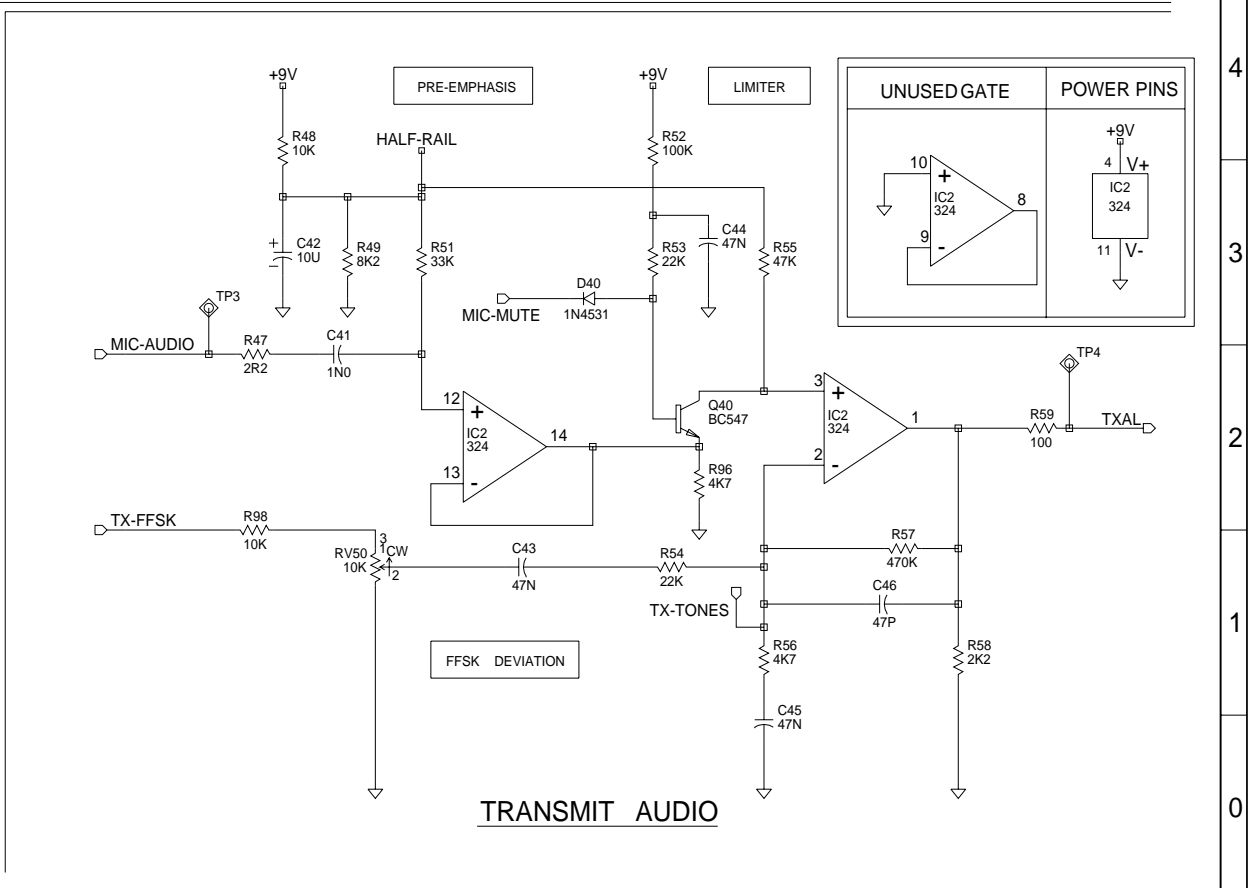
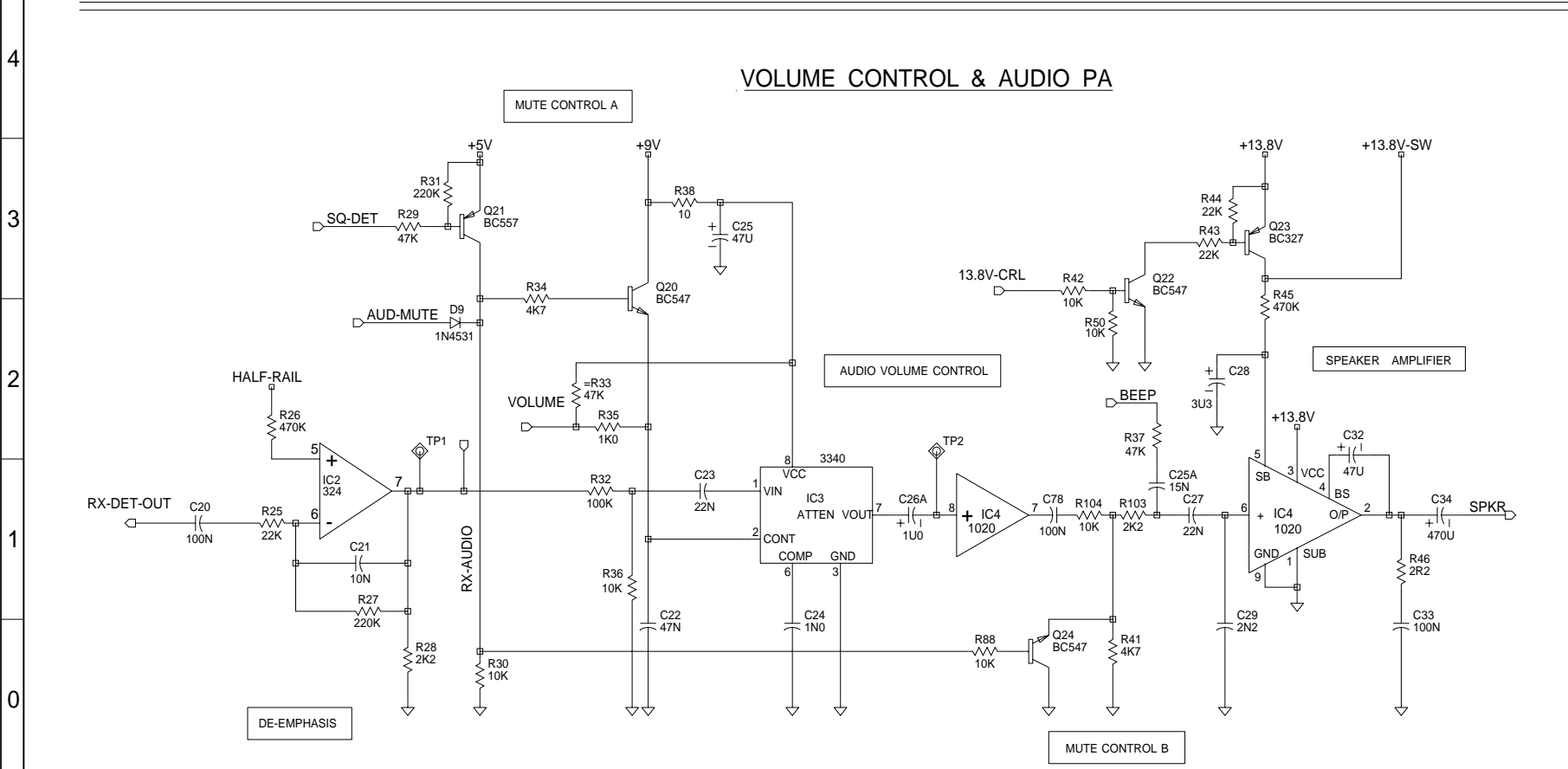
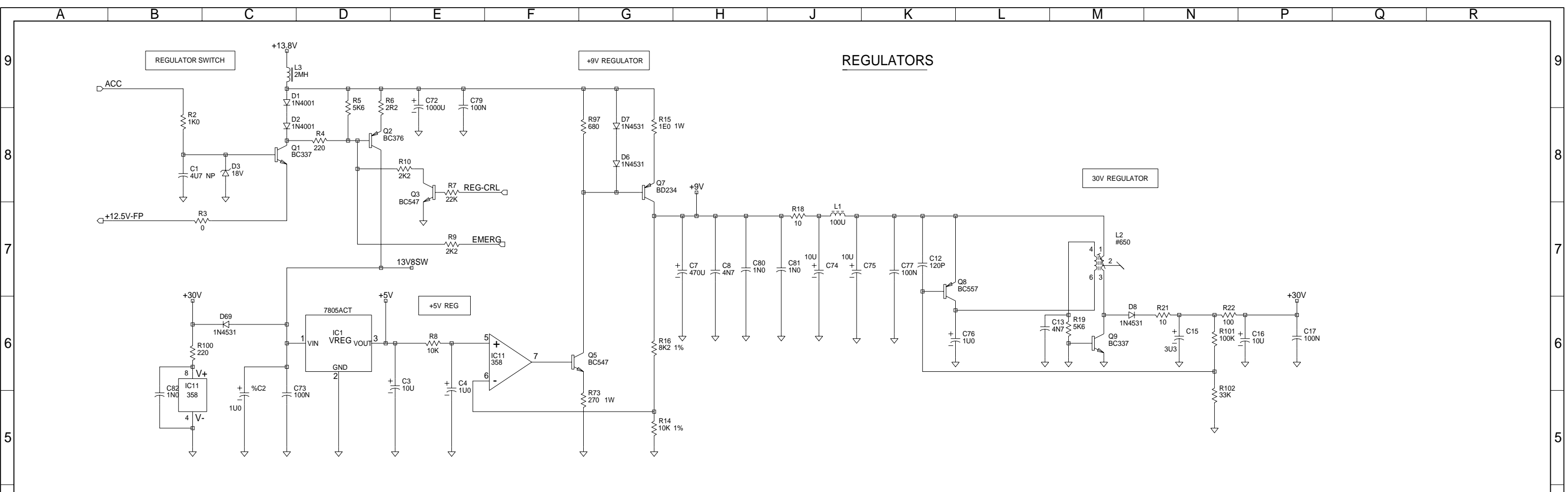
FOR 27512
 R11 IS FITTED
 R12 IS NF

=VOL-P/U	=R33
FITTED	47KX
N/F	-

2C	ADDED ASSEMBLY DRAWINGS	M.N.C.	C.M.	S.C.	30/10/91
2B	CHN:91/07-726	M.N.C.	S.C.	S.C.	06/08/91
2A	CHN 90/07-287, 90/11-604, 90/08-357	M.N.C.	S.C.	S.C.	10/07/91
0D	UPDATE TO 0D	M.HALL			
C	CHN 90/02-058	DBH			
B	CH. NOTE #89/09 485	B.P.			
A	UPDATE FROM T99	B.P.			
REV/ISS	AMENDMENTS	DRAWN	CHKD	D.O.	APVD DATE

© **TAIT ELECTRONICS**
700TR CONTROL PCB
SHEET ONE

IPN: 220-01143-02 ISSUE: F ID: 2.S.C. 1
 PROJECT: DESIGNER: FILE NAME: FILE DATE: NO.SHEETS:
 114302F 26/04/99 3



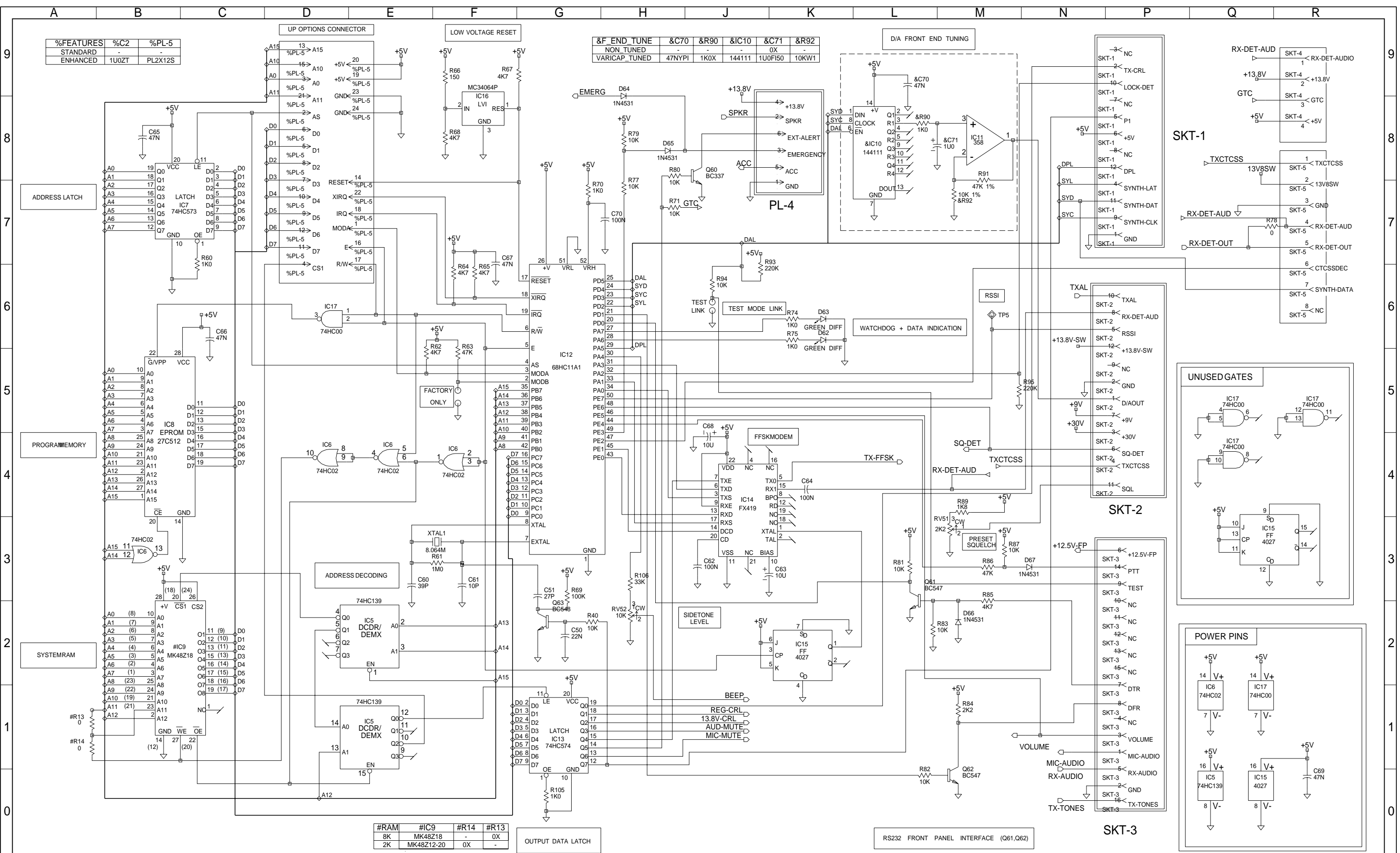
2C	ADDED ASSEMBLY DRAWINGS	M.N.C.	C.M.	S.C.	30/10/91
2B	CHN:91/07-726	M.N.C.	S.C.	S.C.	06/08/91
2A	CHN 90/07-287, 90/11-604, 90/08-357	M.N.C.	S.C.	S.C.	10/07/91
0D	UPDATE TO 0D	M.HALL			
C	CHN 90/02-058	DBH			
B	CH. NOTE #89/09 485	B.P.			
A	UPDATE FROM T99	B.P.			
REV/ISS	AMENDMENTS	DRAWN	CHKD	D.O.	APVD DATE

© **TAIT ELECTRONICS**

700TR CONTROL PCB ANALOGUE CIRCUITRY

IPN: 220-01143-02 ISSUE: F ID: 2.S.C. 2

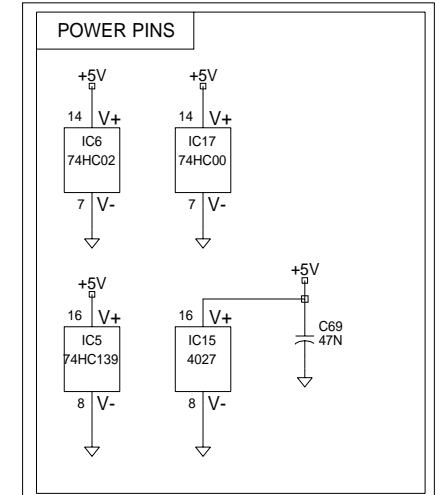
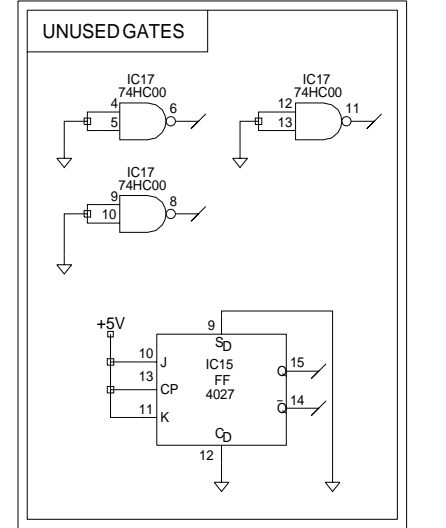
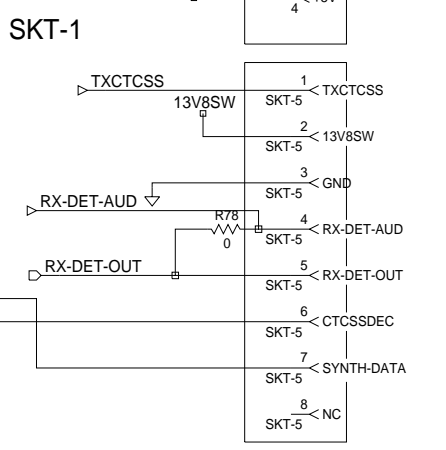
PROJECT: DESIGNER: FILE NAME: FILE DATE: NO.SHEETS: 114302F 26/04/99 3



%FEATURES	%C2	%PL-5
STANDARD	-	PL2X12S
ENHANCED	1U0ZT	-

&F_END_TUNE	&C70	&R90	&IC10	&C71	&R92
NON_TUNED	-	-	-	0X	-
VARICAP_TUNED	47NYPI	1K0X	144111	1U0F50	10KW1

#RAM	#IC9	#R14	#R13
8K	MK48Z18	-	0X
2K	MK48Z12-20	0X	-



2C	ADDED ASSEMBLY DRAWINGS	M.N.C.	C.M.	S.C.	30/10/91	
2B	CHN:91/07-726	M.N.C.	S.C.	S.C.	06/08/91	
2A	CHN 90/07-287, 90/11-604, 90/08-357	M.N.C.	S.C.	S.C.	10/07/91	
0D	UPDATE TO 0D	M.HALL				
C	CHN 90/02-058	DBH				
B	CH. NOTE #89/09 485	B.P.				
A	UPDATE FROM T99	B.P.				
REV/ISS	AMENDMENTS	DRAWN	CHKD	D.O.	APVD	DATE

© TAIT ELECTRONICS			
700TR CONTROL PCB DIGITAL CIRCUITRY			
IPN: 220-01143-02	ISSUE: F	ID: 2.S.C. 3	
PROJECT: 114302F	DESIGNER: 26/04/99	FILE DATE: 26/04/99	NO.SHEETS: 3